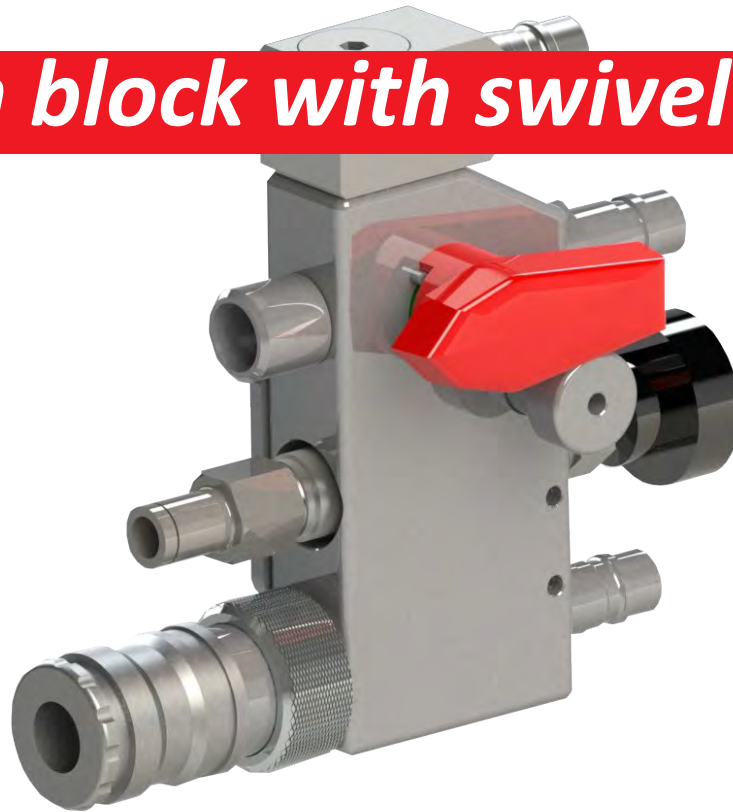




Airtech block with swivel



Description

Airtech block with swivel

Ordering information

2.80.1610

Spare part kit

H.80.00071

The Airtech Block connects a double main breathing air line to the demand valves and also has two connections for extra air supplies.

The red quarter turn valve on the block shuts off one of these supplies, while the other supply is permanently connected to the free-flow unit.

Specifications

Material

Stainless steel

Dimensions HxWxD

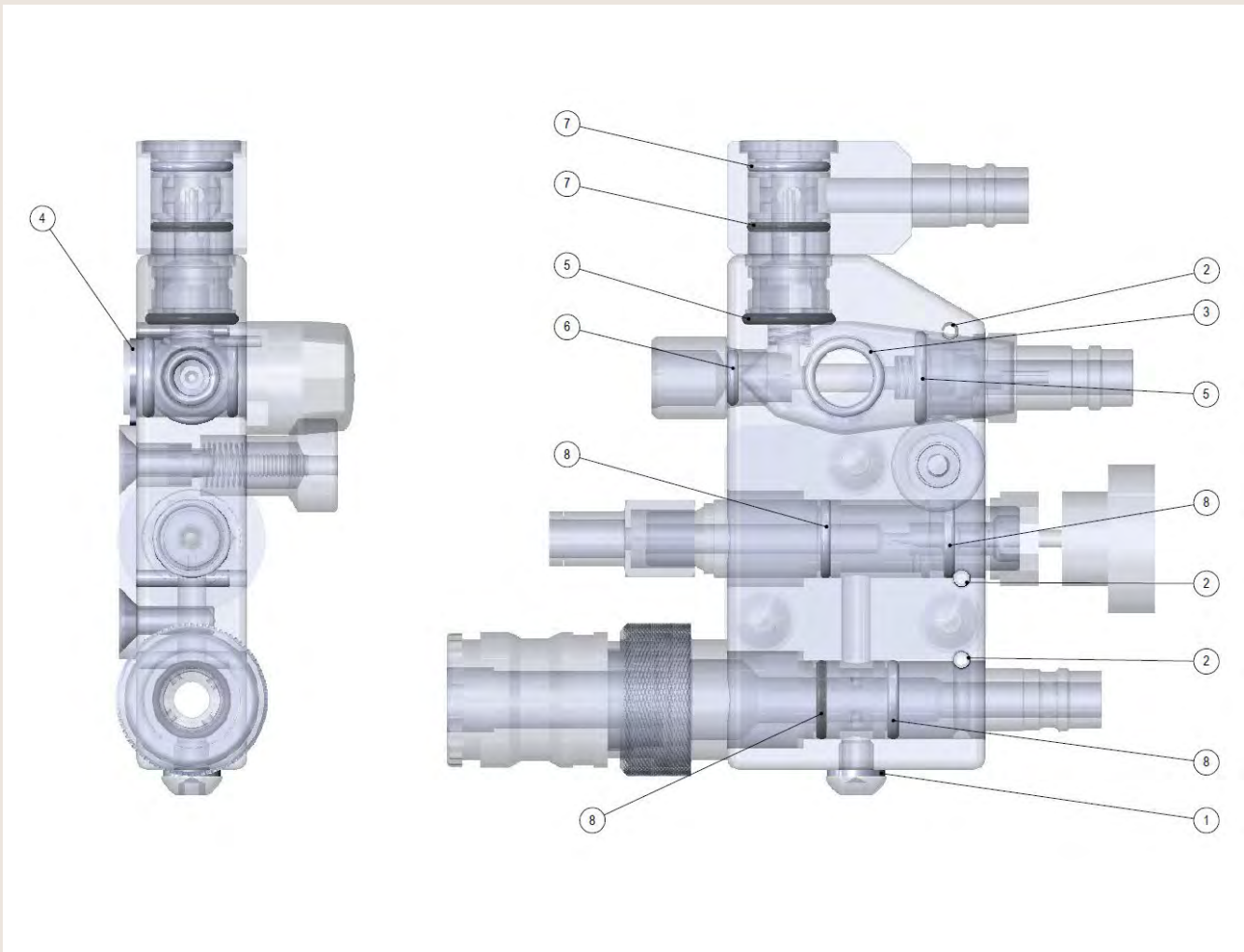
88 x 44 x 19 mm.

Weight

0.37 kg

Contents of the spare part kit

- 1. DIN 7603 A
- 2. Spring pin
- 3. Spare part kit
- 4. Retraining ring
- 5. O-ring
- 6. O-ring
- 7. O-ring
- 8. O-ring



All rights reserved. Reproduction in any form or by any means is not allowed, without prior permission in writing from IHC Merwede BV

IHC Hytech BV

Eiftweg 3, 4941 VR, Raamsdonksveer
The Netherlands

T +31 162 52 22 02
F +31 162 51 90 69

hytech@ihcmerwede.com
www.ihcmerwede.com
www.ihchytech.com